

2 x1

3 x2



1 x2



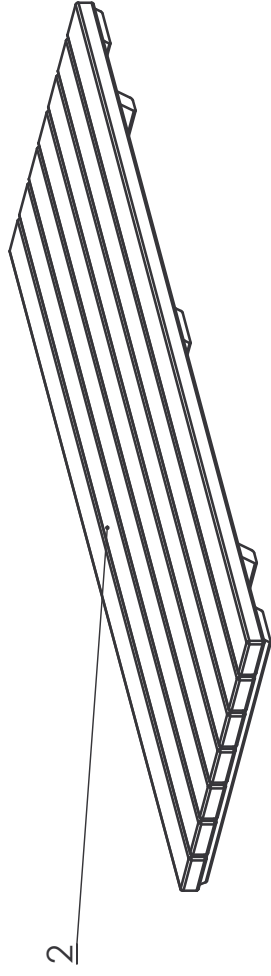
5 x2



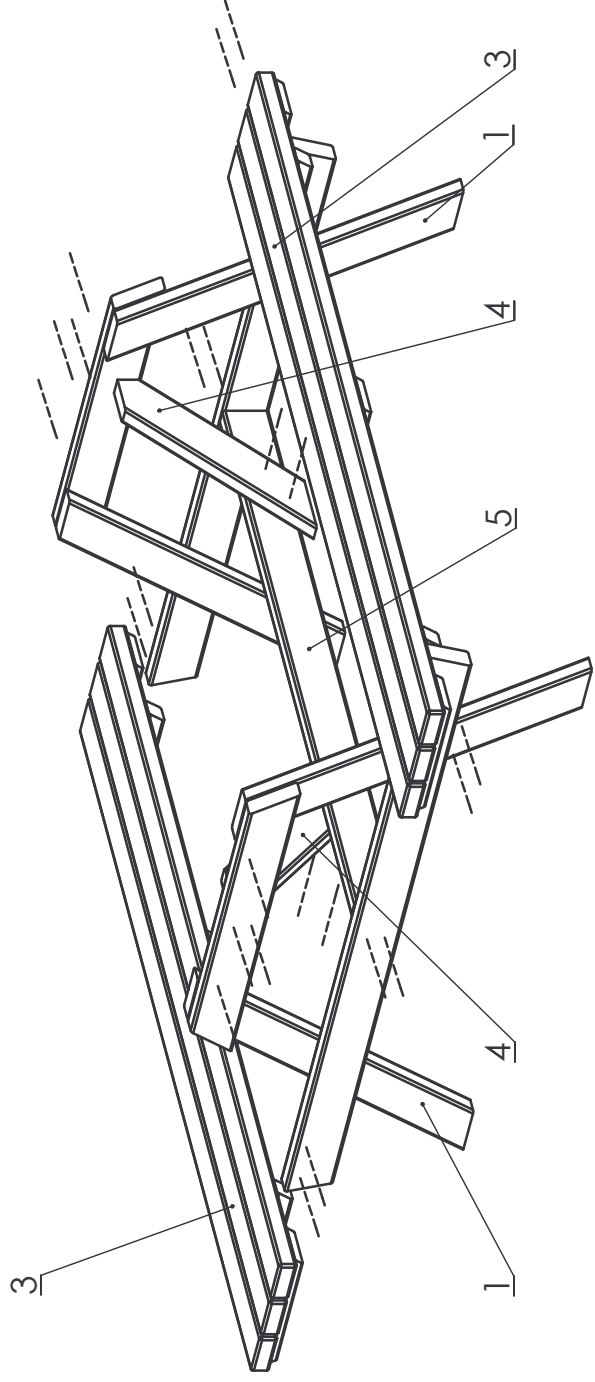
4 x2



5 x70 x24



2



3

1

4

5

4

1

3