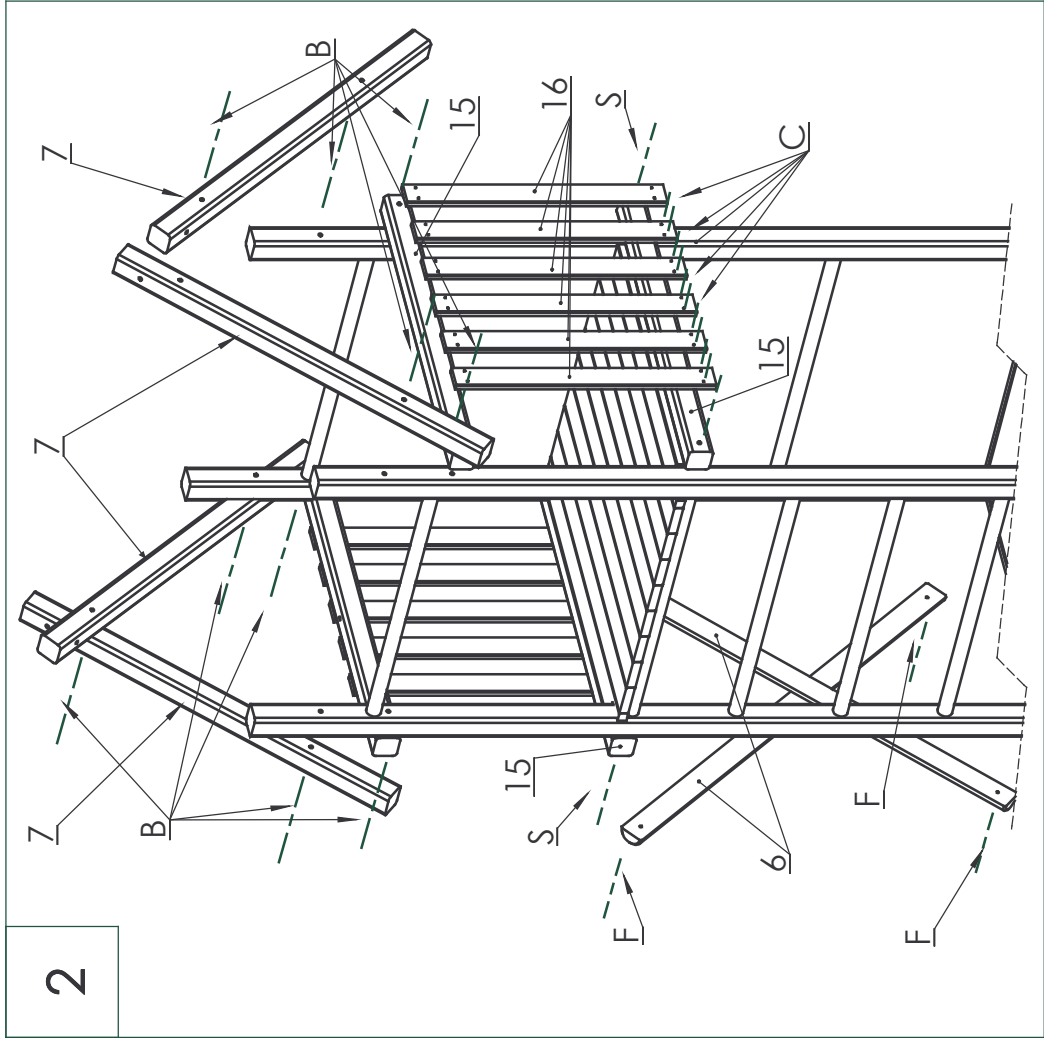
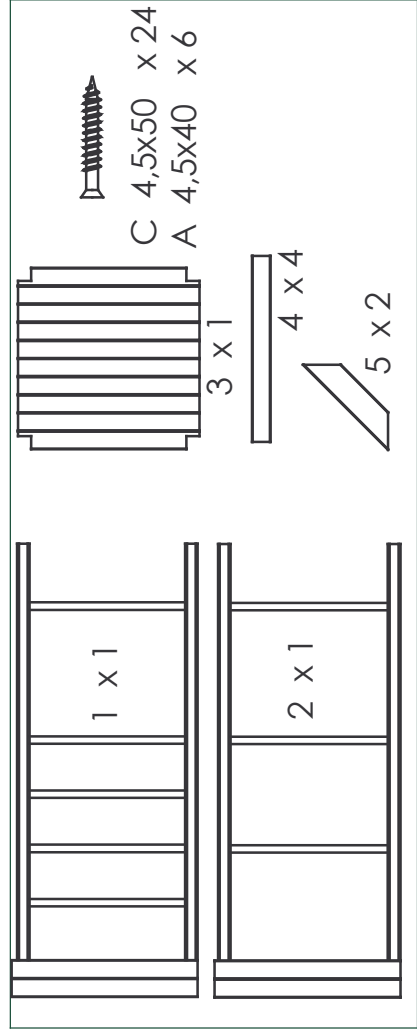
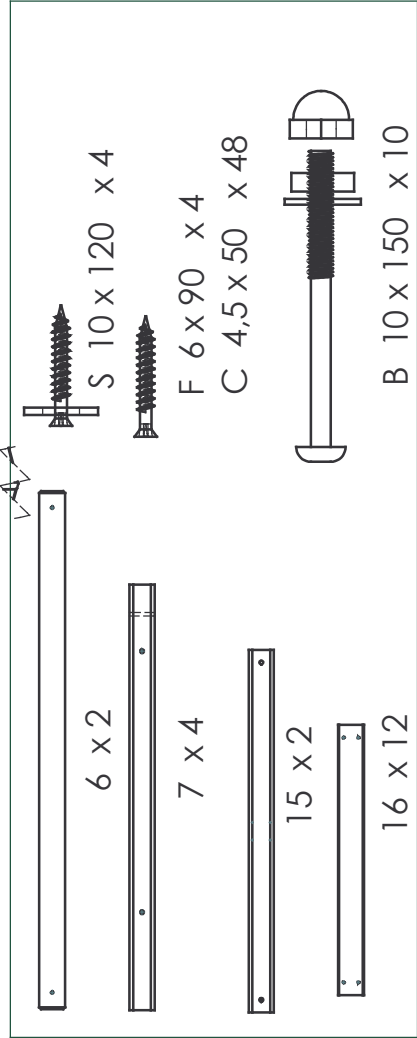


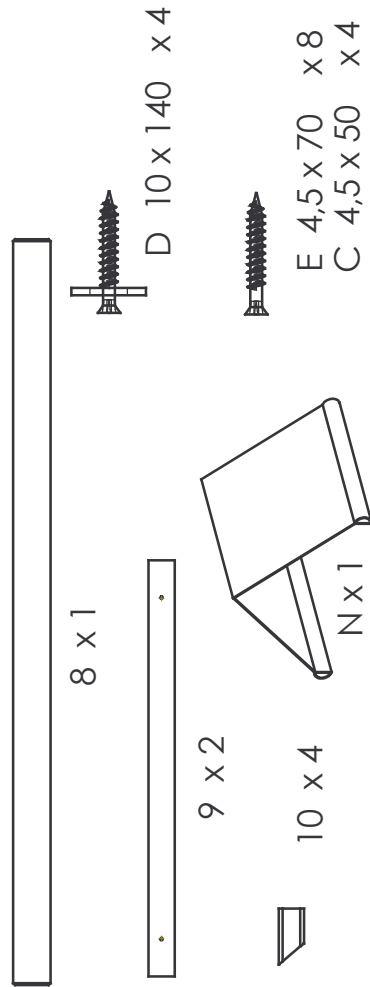
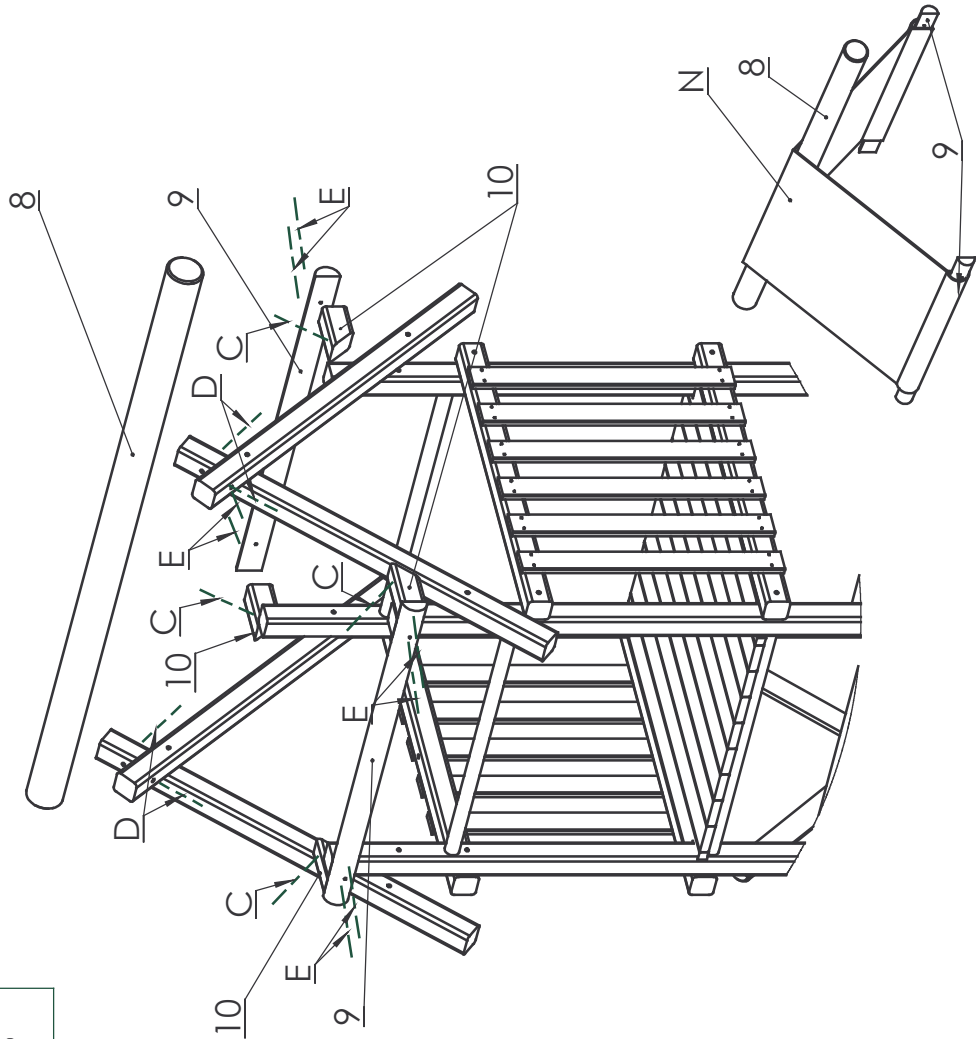
1



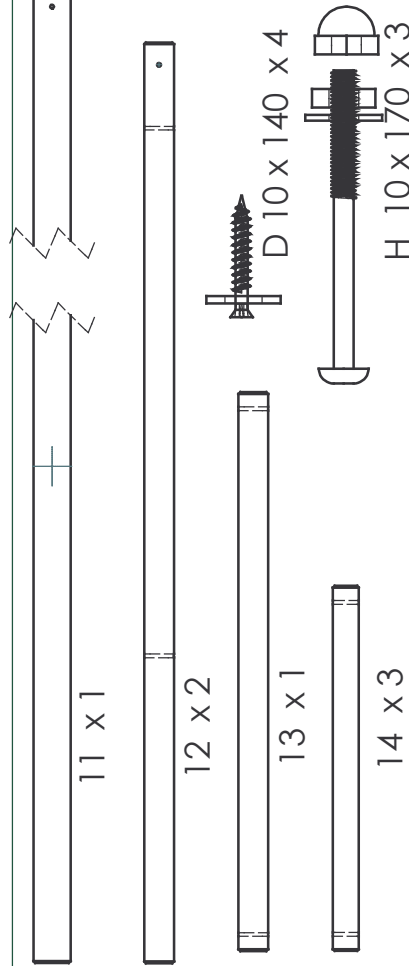
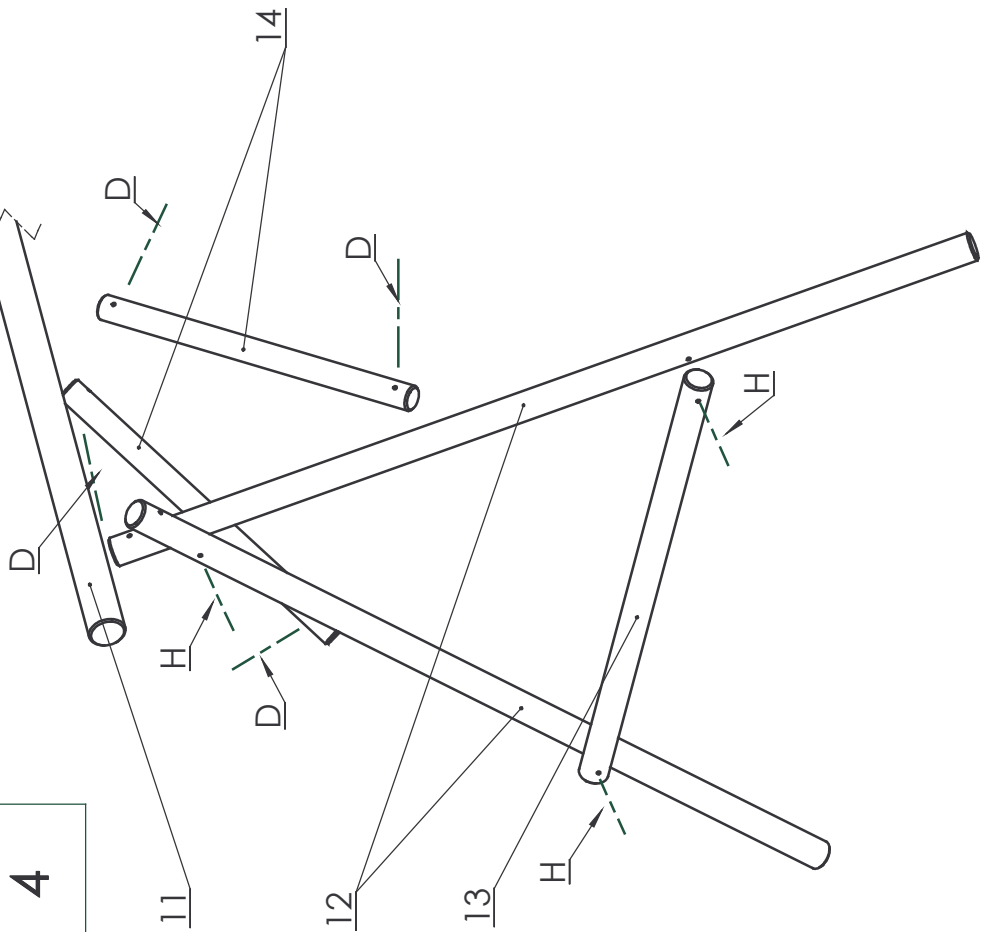
2

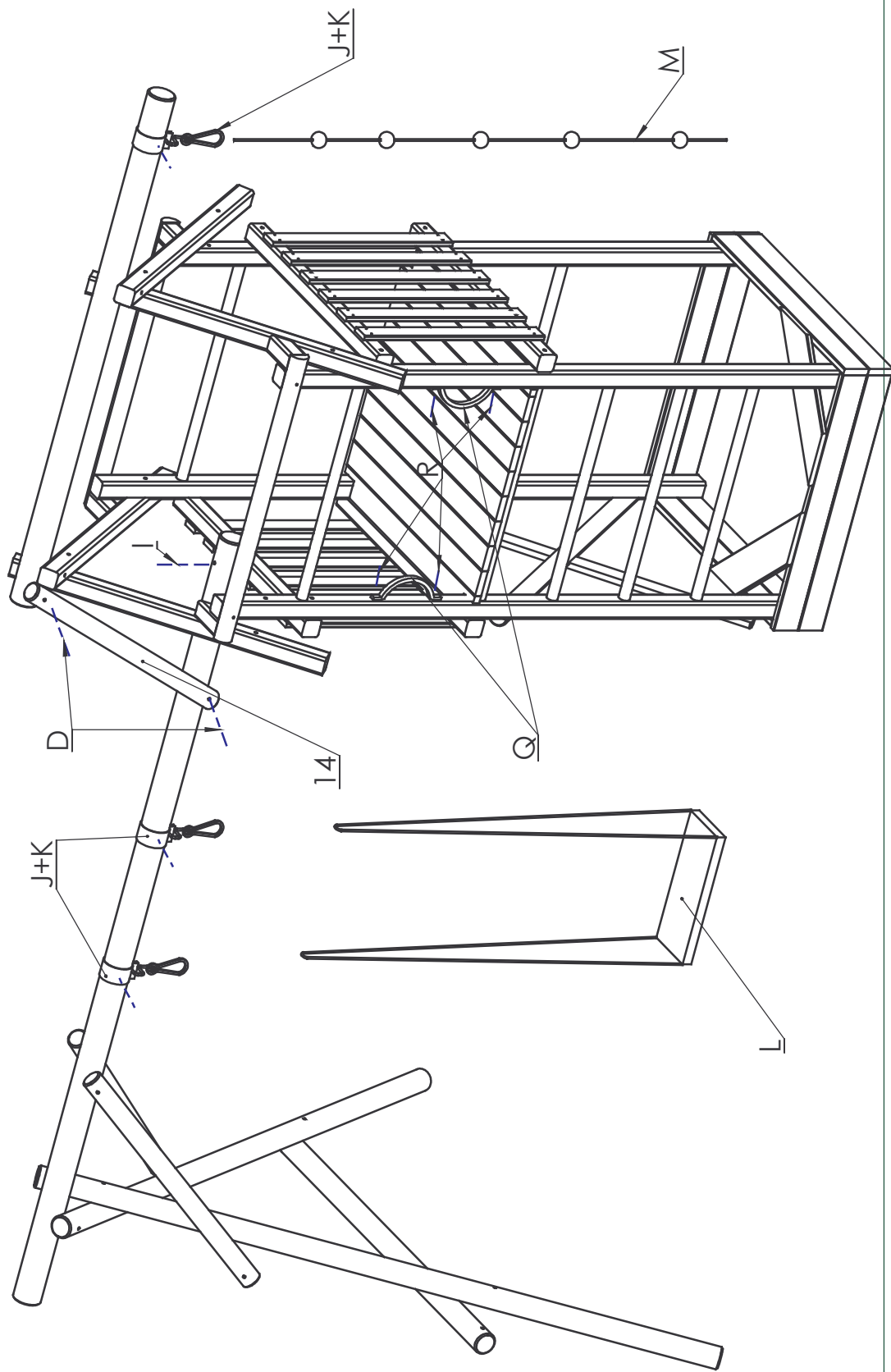


3



4





- 14 x 1**: A vertical wooden post.
- L x 1**: A rectangular wooden panel with tapered ends.
- I 10x180 x 1**: A long horizontal wooden beam.
- D 10x 140 x 2 K 8x 40 x 3**: A screw with a washer and a nut.
- J x 3**: A metal bracket or clip.
- M x 1**: A horizontal bar with five circular holes.
- R 8x 60 x 4**: A screw with a washer.
- Q x 2**: A curved metal piece.