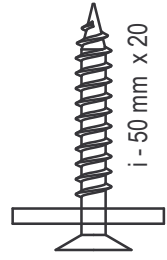
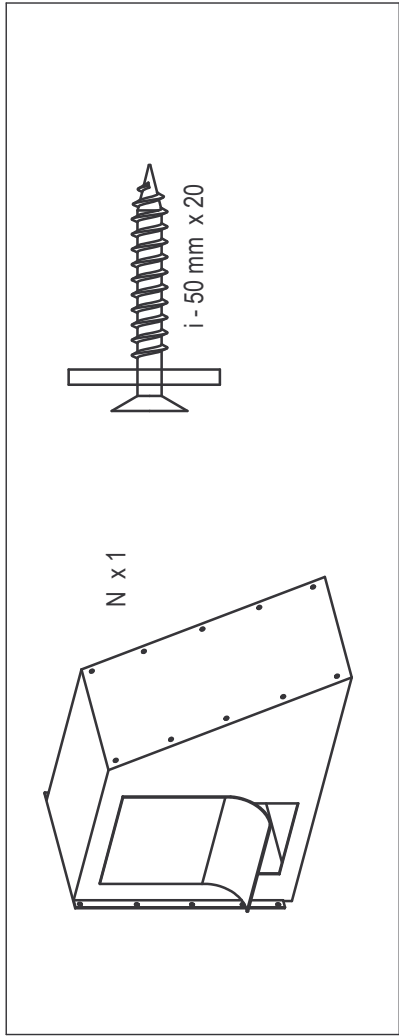
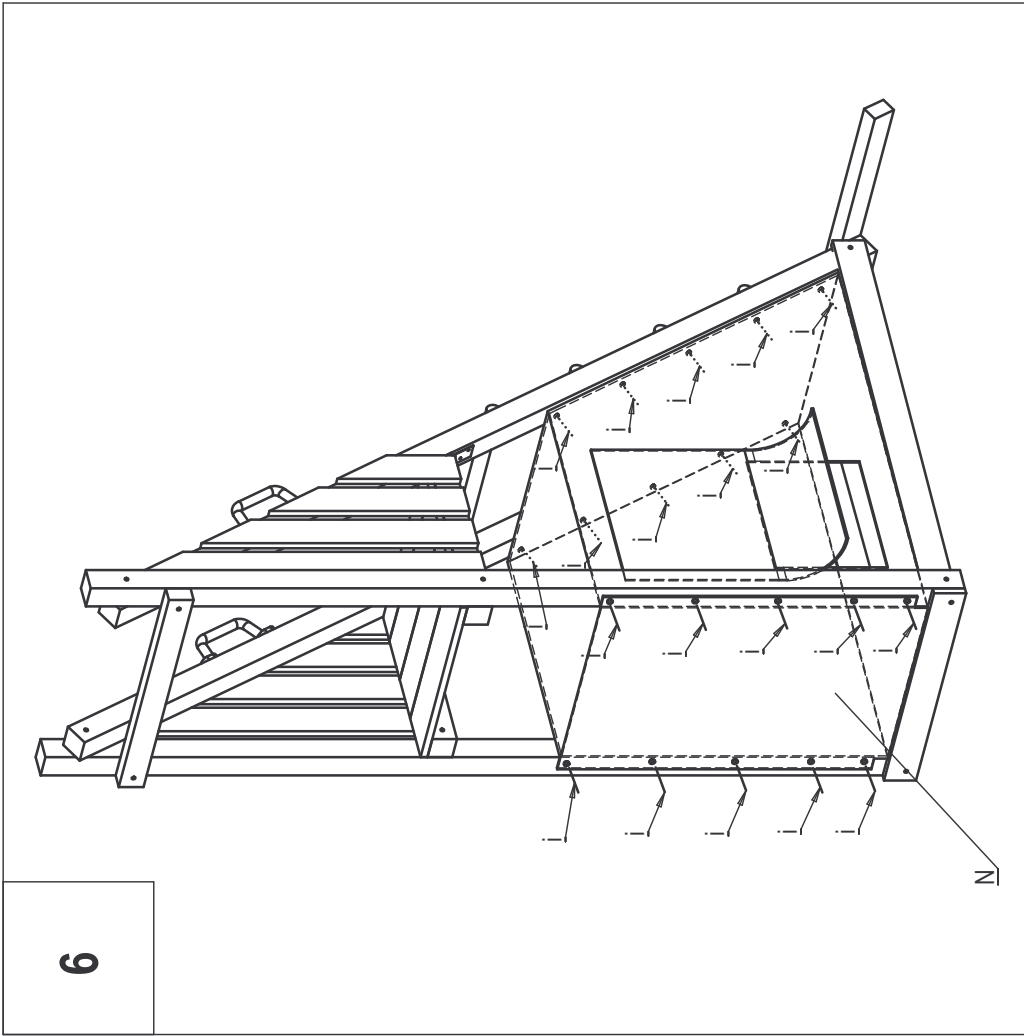
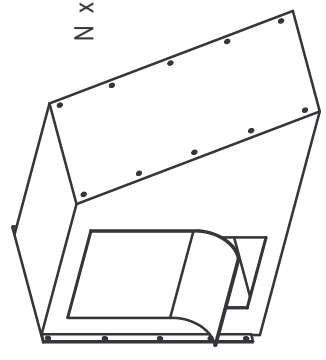


6

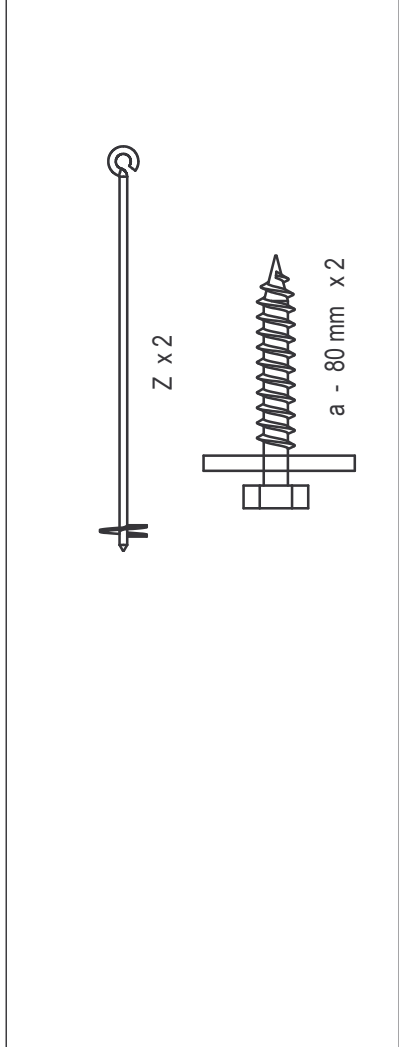
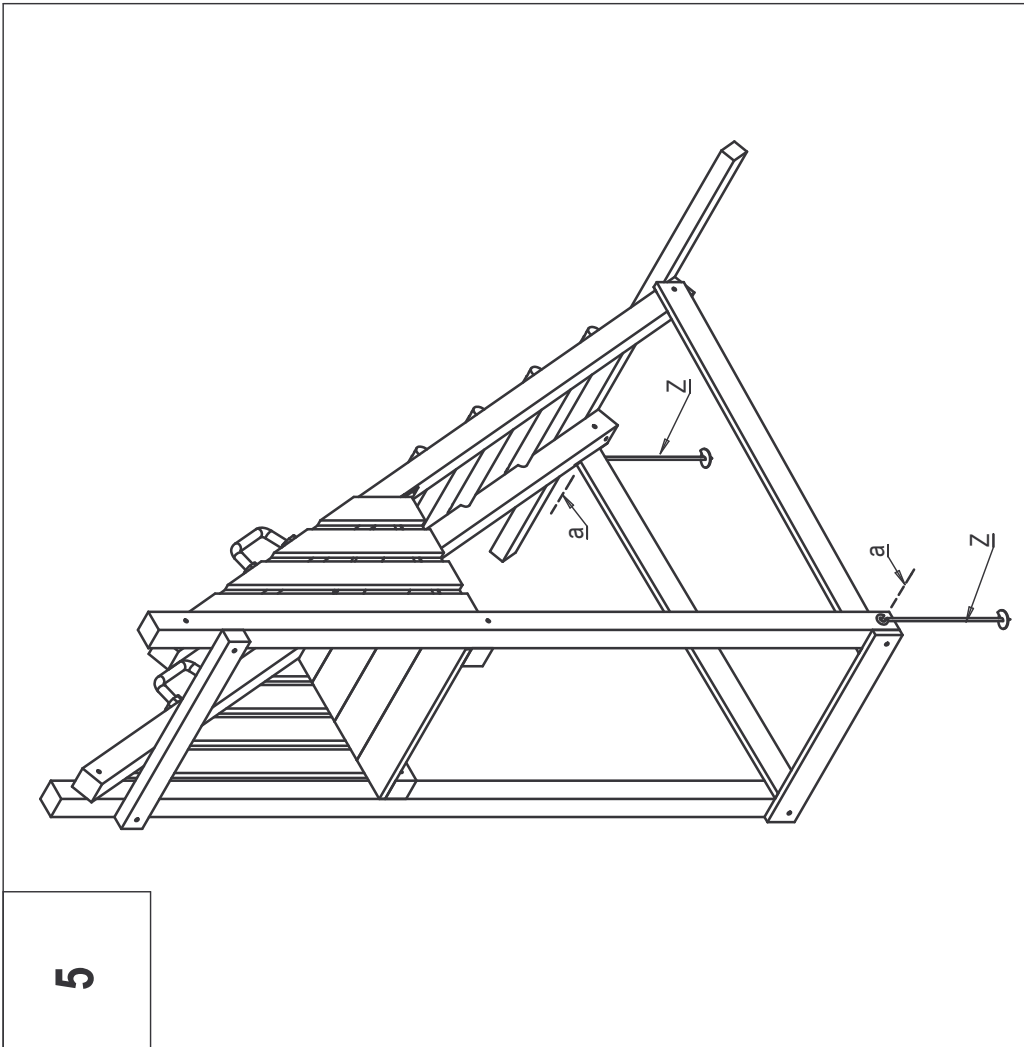


i - 50 mm x 20

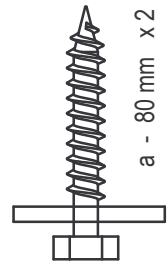
N x 1



5



Z x 2



a - 80 mm x 2