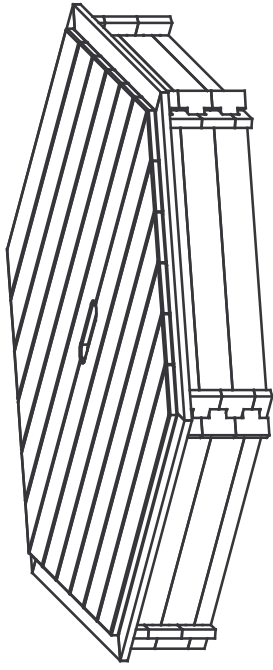
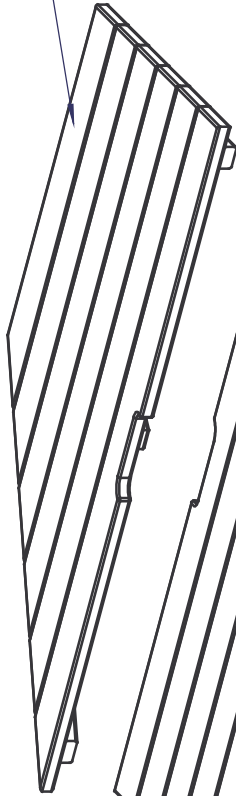
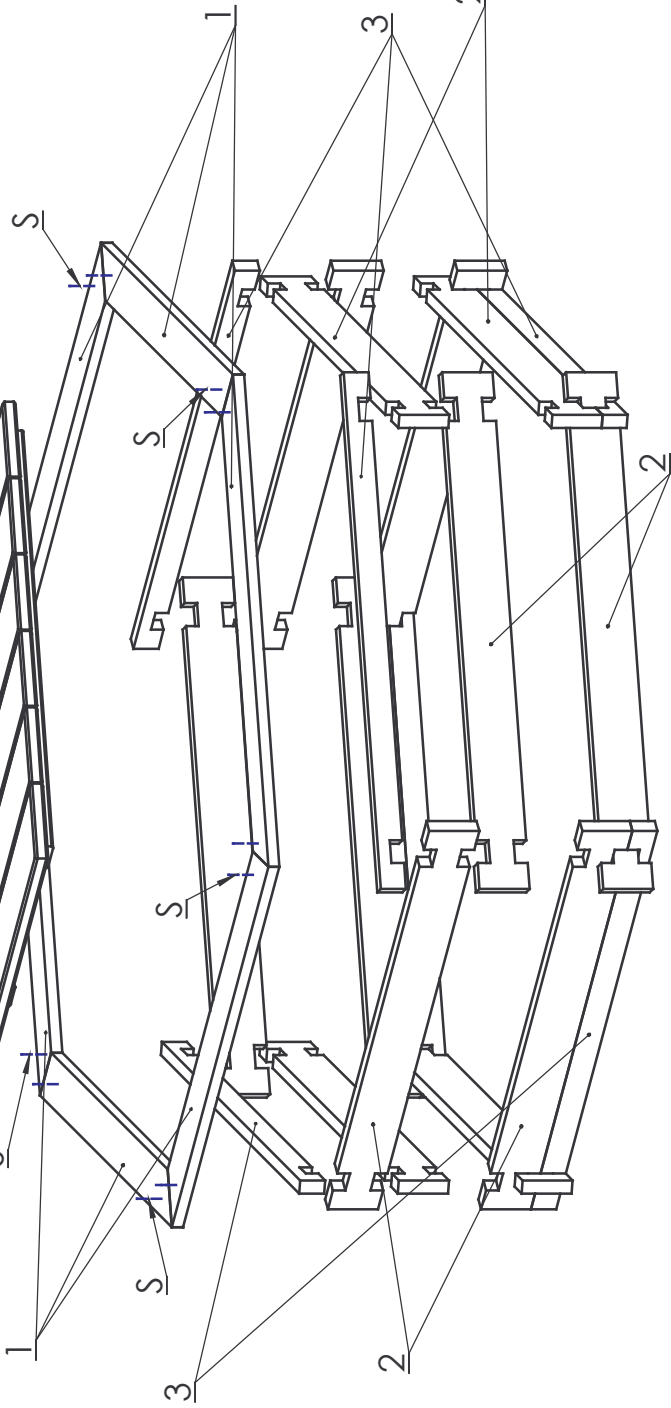


4



4



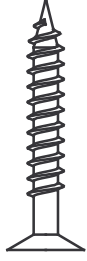
2 12x



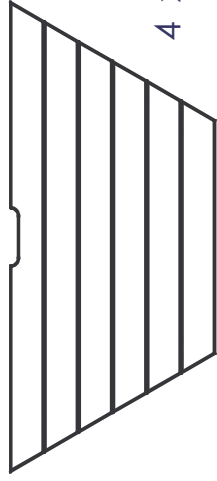
3 6x



1 6x

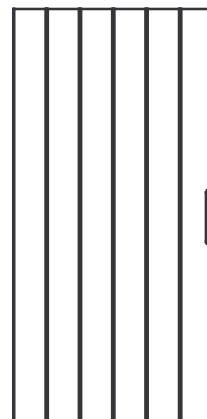
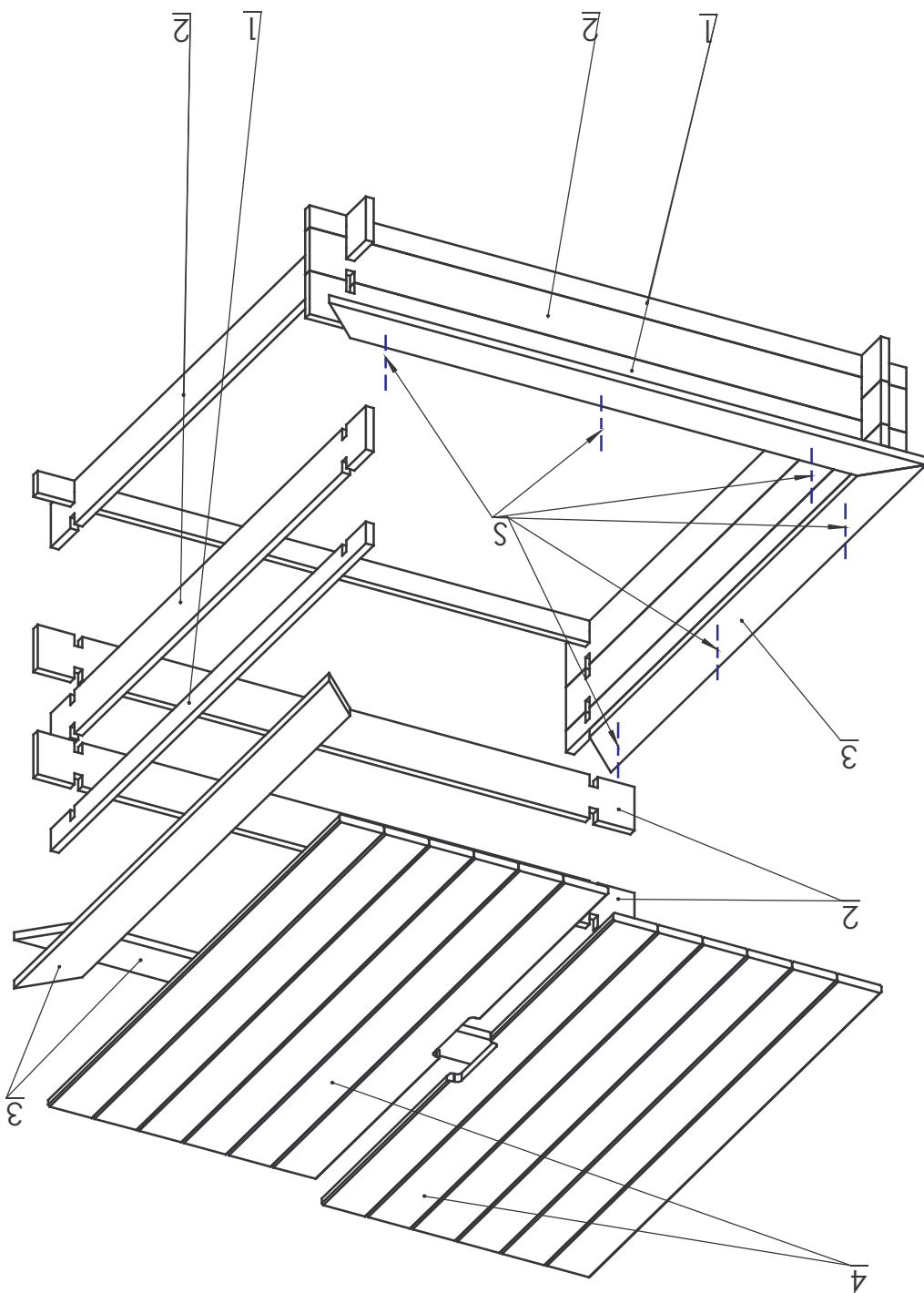


S 12x



4 x 2

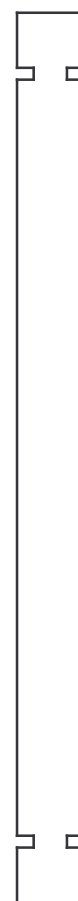
SANDKASTE 120X120

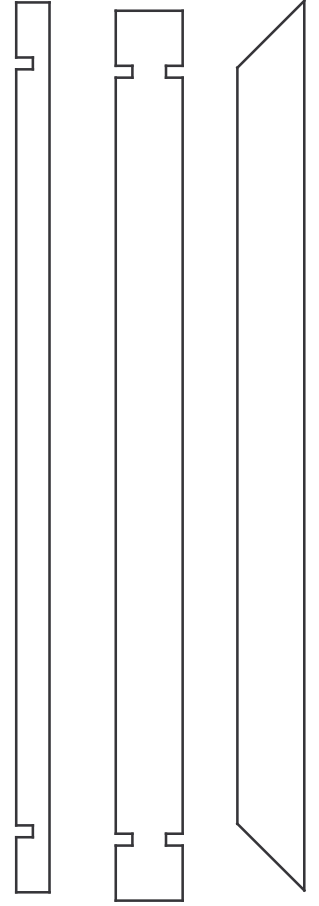
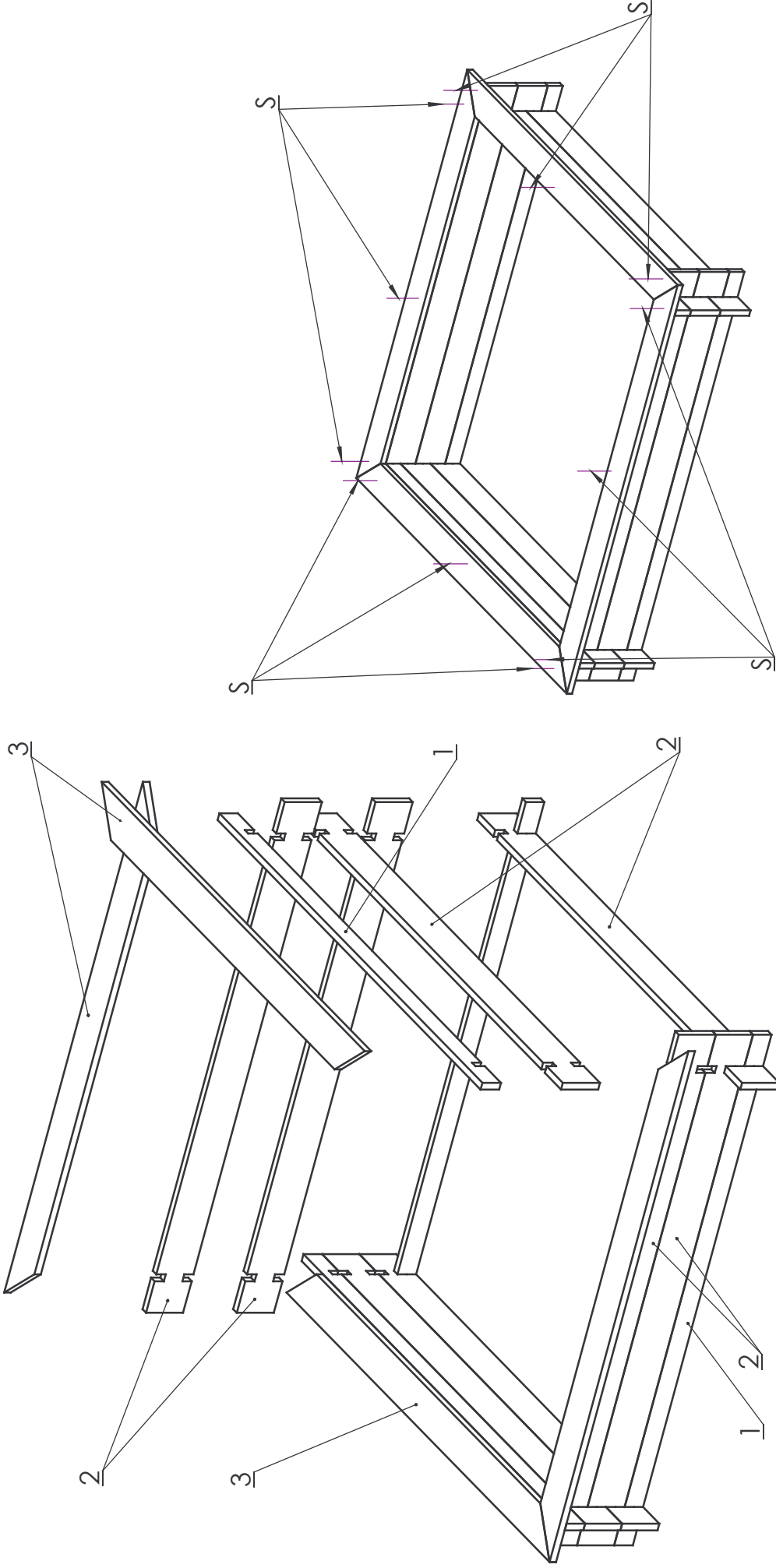


1 X 4

2 X 8

3 X 4



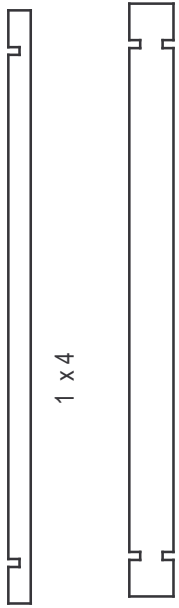
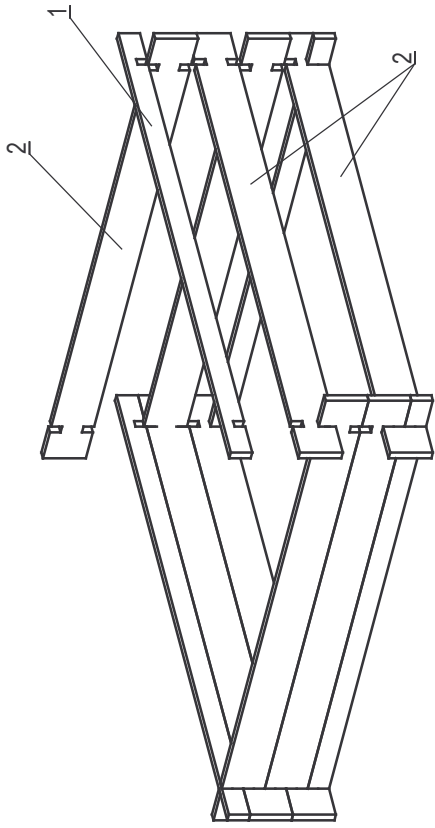


- 1 X 4
- 2 X 8
- 3 X 4



S 3X40 X12

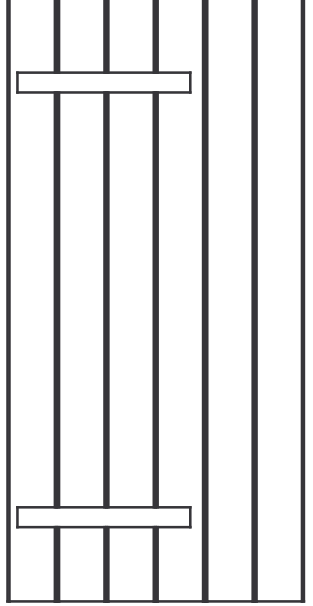
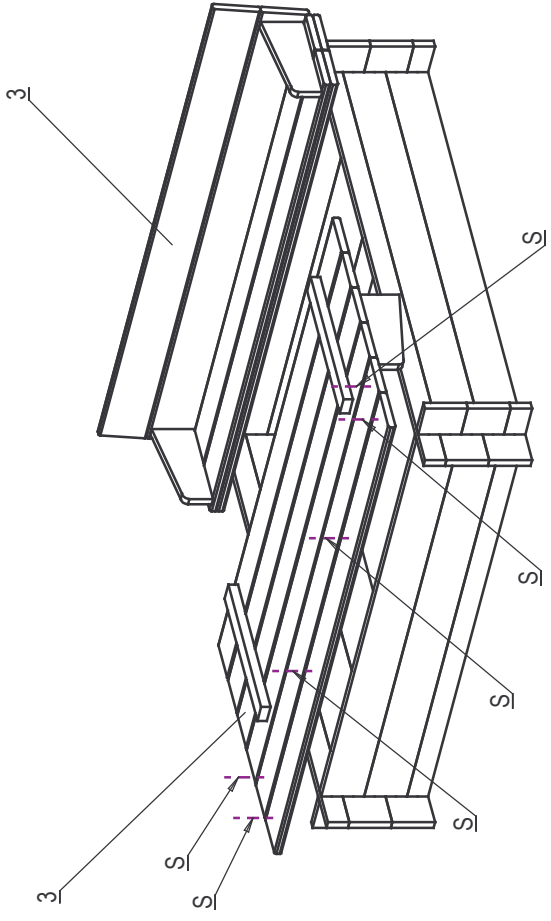
1



2 x 8

1 x 4

2



3 x 2



S 3,5x40 x12