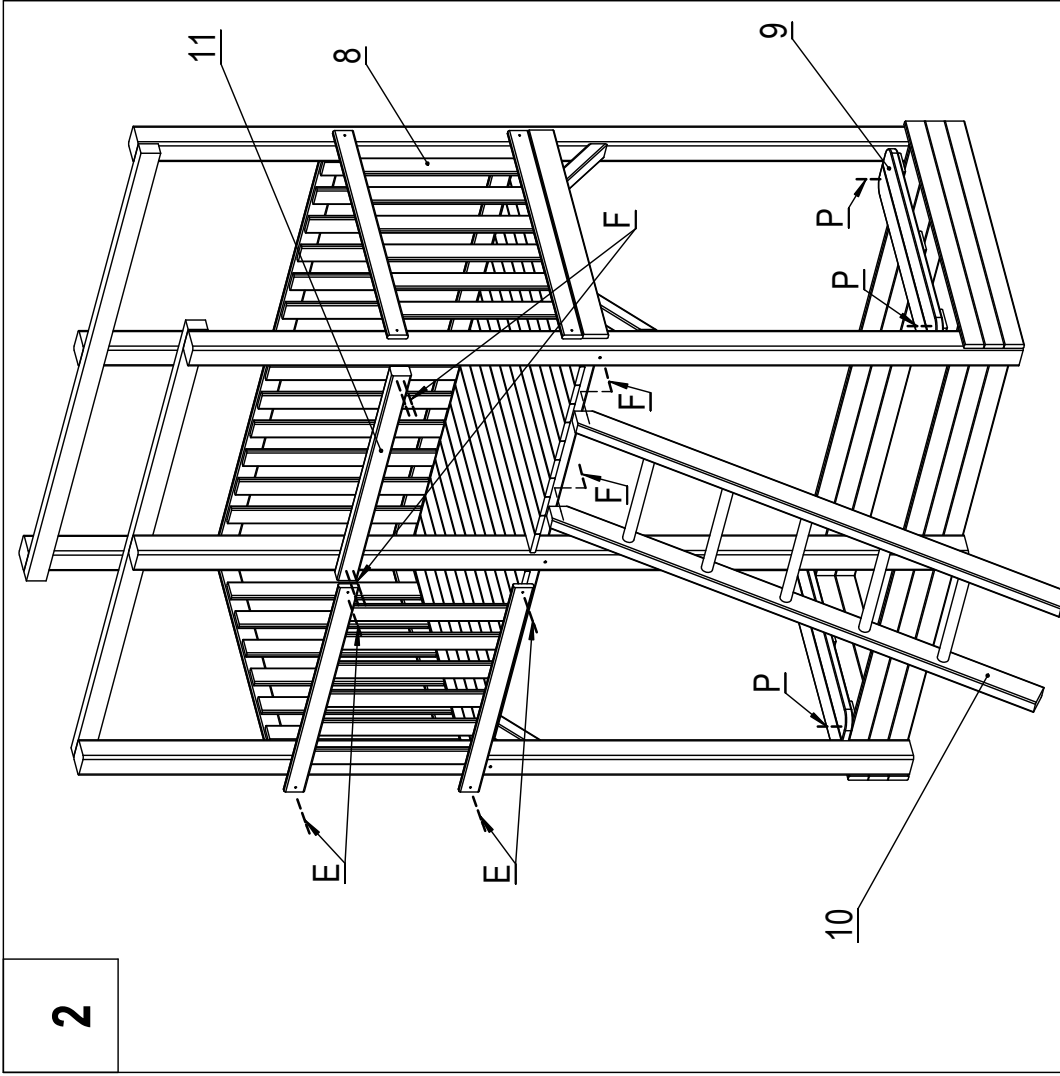


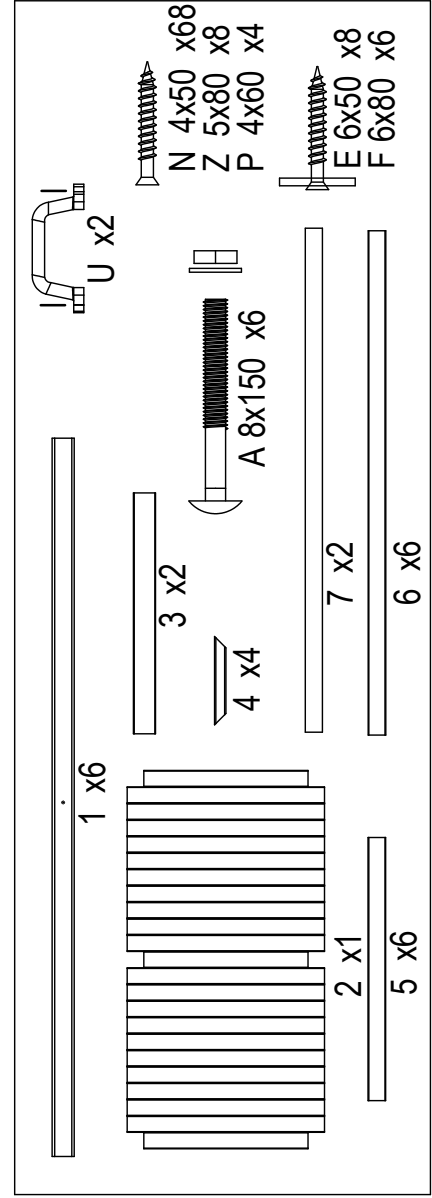
1

SPILTURM 2
fixing kit

- A 8x150 x6
- N 4x50 x68
- P 4x60 x8
- Z 5x80 x8/14
- E 6x50 x36
- F 6x80 x32/20
- V 2x25 x18



2



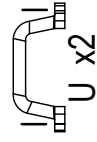
1 x6

3 x2

4 x4

7 x2

6 x6

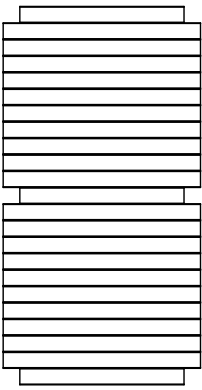


U x2

3 x2



A 8x150 x6



2 x1

5 x6



N 4x50 x68



Z 5x80 x8



P 4x60 x4

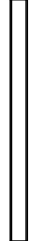


E 6x50 x8

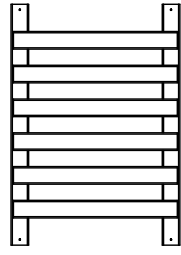
F 6x80 x6



9 x2



11 x1



8 x5



10 x1



F 6x80 x6



E 6x50 x20

P 4x60 x4

